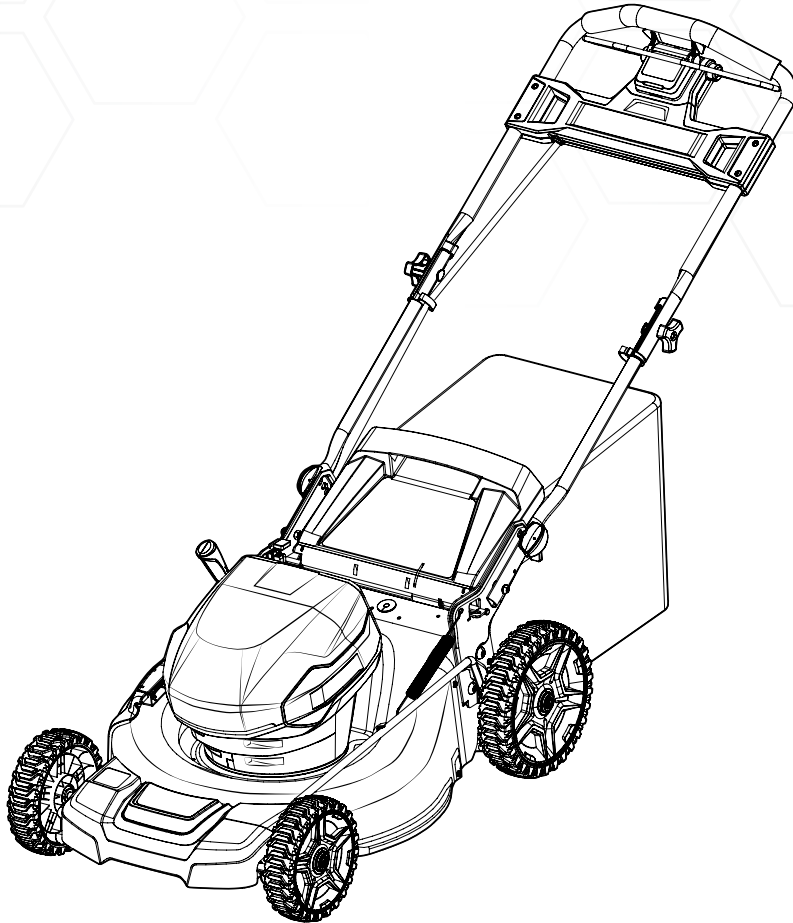


# KOBALT™



ITEM #1130000

## 21-INCH DECK WIDTH SELF-PROPELLED MOWER

MODEL #KMP 6080-06

**Español p. 28**

---

**ATTACH YOUR RECEIPT HERE**

Serial Number \_\_\_\_\_ Purchase Date \_\_\_\_\_



**Questions, problems, missing parts?** Before returning to your retailer, call our customer service department at **1-888-3KOBALT (1-888-356-2258)**, 8 a.m. - 8 p.m., EST, **Monday - Friday.**

## TABLE OF CONTENTS

---

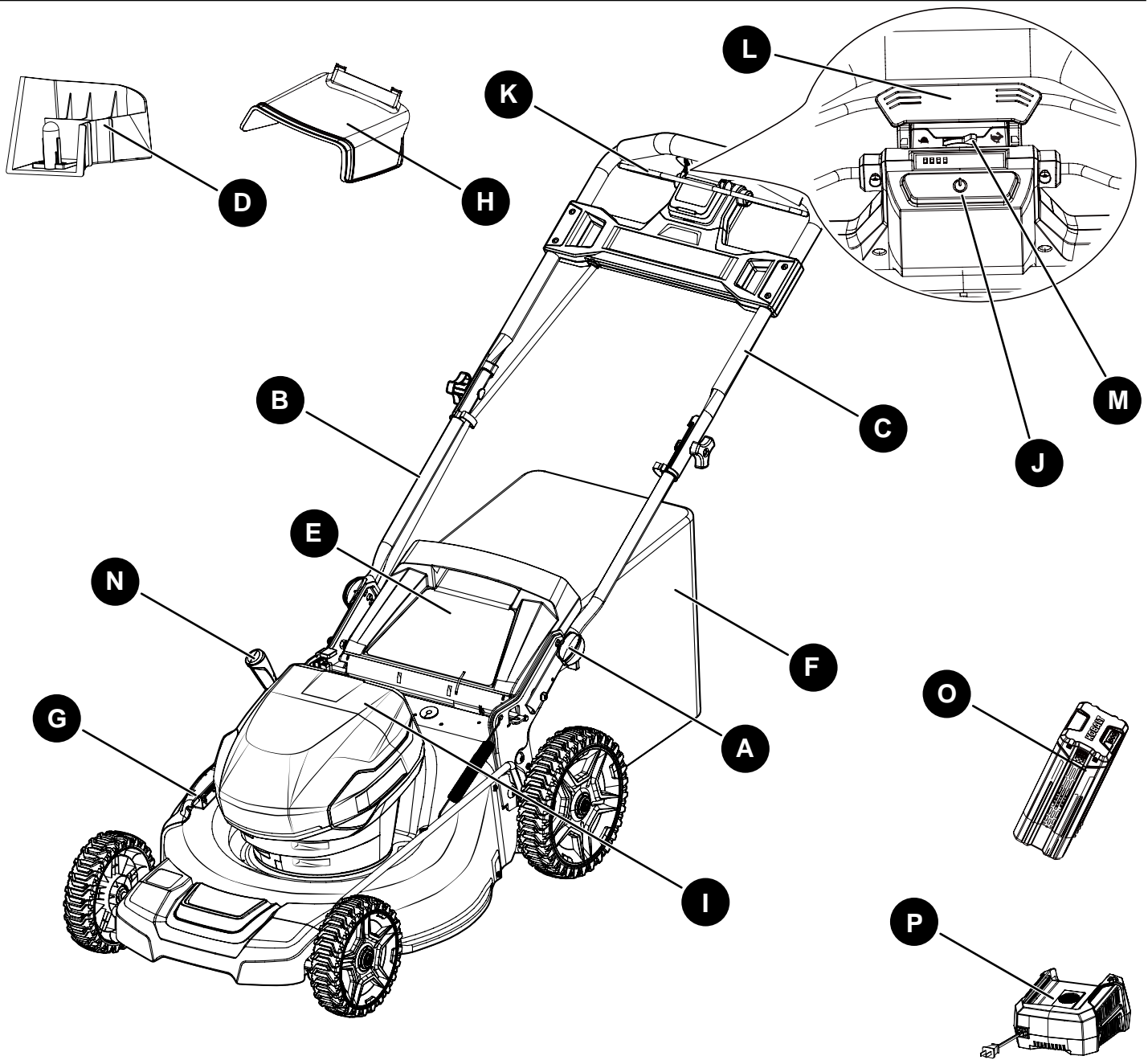
Product Specifications .....	2
Package Contents .....	3
Hardware Contents .....	4
Symbols .....	5
Safety Information .....	7
Preparation .....	13
Assembly Instructions .....	13
Operating Instructions .....	17
Care and Maintenance.....	21
Troubleshooting .....	25
Warranty .....	26
Replacement Parts List.....	27

## PRODUCT SPECIFICATIONS

---

SPECIFICATIONS	
Battery type	80 V Lithium-ion
Charge time	90 minutes, for 80 V 6 Ah battery
No-load speed	2,800 RPM
Self propelled speed	2.3-4.44 fps. (0.7-1.35 m/s)
Height adjustments	1-3/8 - 3-3/4 in.
Functions	3-in-1: Mulch, side discharge or rear bag
Unit weight (without battery)	60 lbs. (27.2 kg)

# PACKAGE CONTENTS



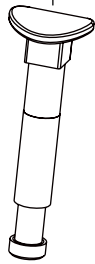
PART	DESCRIPTION	QUANTITY
A	Handle lock knobs	1
B	Lower handle	1
C	Upper handle	1
D	Mulching plug	1
E	Rear discharge cover	1
F	Grass catcher	1
G	Side discharge cover	1
H	Side discharge chute	1

PART	DESCRIPTION	QUANTITY
I	Battery door	1
J	Safety switch button	1
K	Bail lever	1
L	Self-propel paddle	1
M	Speed control	1
N	Height adjustment lever	1
O	Battery	1
P	Charger	1

**HARDWARE CONTENTS** (not shown actual size)

---

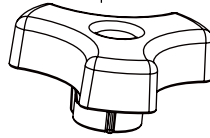
AA



Handle bolt

Qty. 2

BB









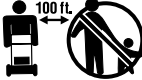



Handle knob

Qty. 2

## SYMBOLS




Some of the following symbols may be used on this product. Please study them and learn their meaning. Proper interpretation of these symbols will allow you to operate the product better and safer.

SYMBOLS	DESIGNATION	EXPLANATION
V	Volts	Voltage
A	Amperes	Current
Hz	Hertz	Frequency (cycles per second)
W	Watts	Power
min	Minutes	Time
~	Alternating Current	Type of current
≡	Direct Current	Type or a characteristic of current
no	No Load Speed	Rational speed, at no load
	Class II Construction	Double-insulated construction
/min	Per Minute	Revolutions, strokes, surface speed, orbits, etc., per minute
	Safety Alert	Precautions that involve your safety.
	Wet Conditions Alert	Do not expose to rain or use in damp locations
	Read The Operator's Manual	To reduce the risk of injury user must read and understand operator's manual before using this product.
	Eye Protection	Always wear eye protection with side shields marked to comply with ANSI Z87.1.
	Keep Hands and Feet Away	Keep hands and feet away from blade and cutting area.
	No Reach	Do not reach hands or feet under mower deck.
	No Slope	Do not operate on inclines greater than 15°. Mow across the face of slopes, never up and down.
	Keep Bystanders Away	Keep all bystanders at least 100 ft. away.
	Ricochet	Pay attention that bystanders are not injured through foreign objects thrown from the mower.


## **SYMBOLS**

---

The following signal words and meanings are intended to explain the levels of risk associated with this product.

<b>SYMBOL</b>	<b>SIGNAL</b>	<b>MEANING</b>
	DANGER	Indicates an imminently hazardous situation, which, if not avoided, will result in death or serious injury.
	WARNING	Indicates a potentially hazardous situation, which, if not avoided, could result in death or serious injury.
	CAUTION	Indicates a potentially hazardous situation, which, if not avoided, may result in minor or moderate injury.
	CAUTION	(Without Safety Alert Symbol) Indicates a situation that may result in property damage.

## **WARNING**

- To avoid serious personal injury, do not attempt to use this product until you have read this Owner's Manual thoroughly and understand it completely. If you do not understand the warnings and instructions in this Owner's Manual, do not use this product. Call 1-888-356-2258 for assistance.
-  The operation of any power tool can result in foreign objects being thrown into your eyes, which can result in severe eye damage. Before operating a power tool, always wear safety goggles, safety glasses with side shields, or a full face shield when needed. A Wide Vision Safety Mask is recommended for use over eyeglasses or standard safety glasses with side shields. Always use eye protection that is marked to comply with ANSI Z87.1.

**SAVE THESE INSTRUCTIONS**



## **SAFETY INFORMATION**

---

### **GENERAL SAFETY RULES**

#### **READ ALL INSTRUCTIONS CAREFULLY**



#### **WARNING**

- This symbol indicates important safety instructions. If these instructions are not followed, it could endanger the personal safety and/or property of the operator and others. Read and understand all instructions in this manual before attempting to operate the mower. Failure to comply with these instructions may result in personal injury.
- Basic safety precautions should always be followed when using electric lawn mowers, in order to reduce the risk of fire, electric shock, and personal injury.
- Use of this mower should be restricted to individuals who have read and understood and will follow the warnings and instructions that are printed in this manual and on the mower.



#### **DANGER**

This mower was built to be operated according to the rules for safe operation that are contained in this manual. As with any type of power equipment, carelessness or error on the part of the operator can result in serious injury. This mower is capable of amputating body parts and throwing objects. Failure to observe the following safety rules could result in serious injury or death.

- Carefully read all instructions on the mower and in the manual before attempting to assemble and operate the mower. Keep this manual in a safe place for future reference, and consult it regularly.
- Become familiar with all controls and their proper operation. Know how to stop the mower and how to disengage the power in an emergency.
- In order to avoid contact with the blade or injury caused by a thrown object, stay in the operating zone behind the handles, and keep children and bystanders at least 100 ft. (30 m) away from the mower while it is in operation. Stop the motor immediately if someone enters the mowing area.
- Thoroughly inspect the area where the mower is to be used. Remove all stones, sticks, wire, bones, toys, and other objects that could be tripped over or thrown by the blade. Thrown objects can cause serious personal injury.
- Plan your mowing pattern in such a way as to avoid discharging material toward roads, sidewalks, bystanders, etc. Do not discharge material against a wall or obstruction. Doing so may cause the discharged material to ricochet back toward the operator.
- Always wear proper eye protection that complies with ANSI Z87.1 in order to protect your eyes while operating or performing any adjustment or repair. Thrown objects that ricochet can cause serious eye injury.
- Always wear a face mask or a dust mask when operating the mower in a dusty environment.
- Dress properly. Do not wear loose clothing or jewelry that can get caught in moving parts. The wearing of protective gloves and safety footwear is recommended.



## SAFETY INFORMATION

---

- Many injuries occur as a result of the mower being pulled over the operator's foot during a fall caused by slipping or tripping. Do not operate this mower in bare feet, or while wearing sandals or lightweight (e.g., canvas) shoes. Do not hold on to the mower if you are falling. Release the handle immediately.
- Never pull the mower back toward you while you are walking. If you must back the mower away from a wall or an obstruction, first look down and behind in order to avoid tripping, and then follow these steps:
  - Step back from the mower in order to fully extend your arms.
  - Be sure that you are well balanced.
  - Pull the mower back slowly.
- Do not use the mower for any job except that for which it is intended. Do not force the mower.
- Do not operate the mower while under the influence of alcohol or drugs.
- Stay Alert: Do not operate the mower when you are tired. Pay attention to what you are doing. Use common sense.
- Do not put hands or feet near rotating parts or under the cutting deck. Contact with the blade can amputate hands and feet.
- Do not attempt to adjust the wheels or the cutting height while the motor is running.
- Avoid dangerous environments. Do not operate the mower in the rain or in wet or damp grass.
- Mow only in daylight or in good artificial light. Do not rush a mowing job.
- Stop the blade when crossing gravel driveways, walkways, or roads.
- If the mower starts to vibrate excessively, stop the motor and check for the cause immediately. Vibration is generally a warning of trouble.
- Stop the motor and wait until the blade comes to a complete stop before removing the grass catcher or unclogging the chute. The cutting blade will continue to rotate for a few seconds after the motor is shut off. Do not place any part of your body in the blade area until you are sure that the blade has stopped rotating.
- Never operate mower without a proper trail shield, discharge cover, grass catcher, switch control, or other safety device in place and in working order. Do not operate the mower with damaged safety devices. Doing so can result in injury.
- Don't force the lawn mower. It will do the job better and safer at the rate for which it was designed.
- Always store your lawn mower indoors. When not in use, the lawn mower should be stored indoors in a dry and locked place, out of reach of children.
- Maintain your lawn mower. Keep cutting edges sharp and clean to ensure the best performance and safe operation.
- If lawn mower strikes a foreign object, follow these steps:
  - Stop lawn mower, release the bail lever.
  - Remove the battery.
  - Inspect for damage.





## **SAFETY INFORMATION**

---

- Repair any damage before restarting and operating the lawn mower.
- Do not charge lawn mower in rain or in wet location.
- Remove or disconnect battery before servicing, cleaning or removing material from lawn mower.
- Use identical replacement blades only.
- Do not open or break the battery. Broken batteries can release corrosive electrolytes which can cause damage to the eyes or skin. It may be toxic if swallowed.
- When using, keep out of water, direct sunlight and do not expose to rain.
- Store indoors, and do not expose to rain or water. Avoid direct sunshine.

### **CHILD SAFETY**

Tragic accidents can occur if the operator is not aware of the presence of children.

- Keep children out of the mowing area and under the watchful care of a responsible adult.
- Do not allow children under the age of 14 to operate this mower. Children who are 14 years of age and older must read and understand the operating instructions and safety rules in this manual, and must be trained and supervised by a parent.
- Stay alert, and turn the mower off if a child or any other person enters the mowing area.
- Look behind and down for small children before and while moving backwards.
- Use extreme care when approaching blind corners, doorways, shrubs, trees, or other objects that may obscure your view of a child who may run into the path of the mower.



### **WARNING**

- To reduce the risk of damage and danger, never clean the tool with pressure washer or under running water.
- Store indoors only. Always remove the battery from mower and charger when cleaning or storing the tool.



## **SAFETY INFORMATION**

---

### **BATTERY & CHARGER**



#### **CAUTION**

Use only Kobalt approved replacement batteries. Other batteries may cause injury or damage to the mower. For use only with Kobalt KB 280-06/KB 2580-06/KB 480-06/KB 580-06/KB 680-06 batteries and KRC 30-06 charger.

### **BATTERY SAFETY RULES**

- Battery tools do not have to be plugged into an electrical outlet; therefore, they are always in operating condition. Be aware of possible hazards when not using your battery tool or when changing accessories. Following this rule will reduce the risk of electric shock, fire, or serious personal injury.
- Do not place battery tools or their batteries near fire or heat. This will reduce the risk of explosion and possibly injury.
- Do not crush, drop or damage battery pack. Do not use a battery pack or charger that has been dropped or received a sharp blow. A damaged battery is subject to explosion. Properly dispose of a dropped or damaged battery immediately.
- Batteries can explode in the presence of a source of ignition, such as a pilot light. To reduce the risk of serious personal injury, never use any cordless product in the presence of open flame. An exploded battery can propel debris and chemicals. If exposed, flush with water immediately. Do not charge battery tool in a damp or wet location. Following this rule will reduce the risk of electric shock.
- For best results, your battery tool should be charged in a location where the temperature is more than 43°F (6°C) but less than 104°F (40°C). To reduce the risk of serious personal injury, do not store outside or in vehicles.
- Under extreme usage or temperature conditions, battery leakage may occur. If liquid comes in contact with your skin, wash immediately with soap and water. If liquid gets into your eyes, flush them with clean water for at least 10 minutes, then seek immediate medical attention. Following this rule will reduce the risk of serious personal injury.
- When battery pack is not in use, keep it away from other metal objects like: paper clips, coins, keys, nails, screws, or other small metal objects that can make a connection from one terminal to another. Shorting the battery terminals together may cause sparks, burns, or a fire.
- Always remove battery pack from your tool when you are assembling parts, making adjustments, cleaning, or when not in use. Removing battery pack will prevent accidental starting that could cause serious personal injury.
- Always remove battery pack before storing the device. When battery becomes fully charged, unplug the charger from the power supply and remove the battery pack from the charger.
- Always wear eye protection with side shields marked to comply with ANSI Z87.1, along with hearing protection. Failure to do so could result in objects being thrown into your eyes and other possible serious injuries.
- Keep battery pack dry, clean, and free from oil and grease. Always use a clean cloth when cleaning. Never use brake fluids, gasoline, petroleum-based products, or any solvents to clean battery pack.



## **SAFETY INFORMATION**

---

### **PROPER BATTERY CARE**

#### Off-season storage

To obtain the longest possible battery life, the following steps are suggested:

- Remove the battery pack from the charger once it is fully charged and ready for use.

For battery pack storage longer than 30 days:

- Store the battery pack where the temperature is below 80°F and away from moisture.
- Store battery packs in a 30% - 50% charged condition.
- Every two months of storage, charge the pack as normal.

### **CHARGER SAFETY RULES**

- Charge the mower battery in a dry area that is protected from the weather. Do not expose the mower or the charger to rain. Do not charge the battery in a wet location. Operate the battery charger in temperatures between 43°F and 104°F. In order to reduce the risk of electric shock, use only the charger that is provided by the manufacturer to charge the battery.
- Do not misuse the charger cord. Never carry the charger by the cord. Do not disconnect the charger from the outlet by pulling the charger cord.
- Do not use a damaged charger. Replace the charger cords or the charger immediately.
- Keep the mower and the charger away from water, heat sources (radiators, heaters, stoves, etc.), flames, and chemicals.
- Make sure the battery pack is secured in the charger before beginning operation.
- The battery pack will become slightly warm to the touch while charging. This is normal and does not indicate a problem.
- Do not place the charger and battery pack in an area of extreme heat or cold. They will work best at normal room temperature.
- When batteries become fully charged, unplug the charger from the power supply and remove the battery pack.



#### **WARNING**

When transporting or servicing unit, always remove the battery.



#### **WARNING (PROPOSITION 65)**

Some dust created by power sanding, sawing, grinding, drilling, and other construction activities contains chemicals known to cause cancer, birth defects or other reproductive harm. Some examples of these chemicals are:

- Lead from lead-based paints
- Crystalline silica from bricks and cement and other masonry products, and
- Arsenic and chromium from chemically treated lumber.

Your risk of exposure to these chemicals varies depending on how often you do this type of work. To reduce your exposure to these chemicals, work in a well-ventilated area, and work with approved safety equipment, such as dust masks that are specially designed to filter out microscopic particles.

## SAFETY INFORMATION

### SERVICE

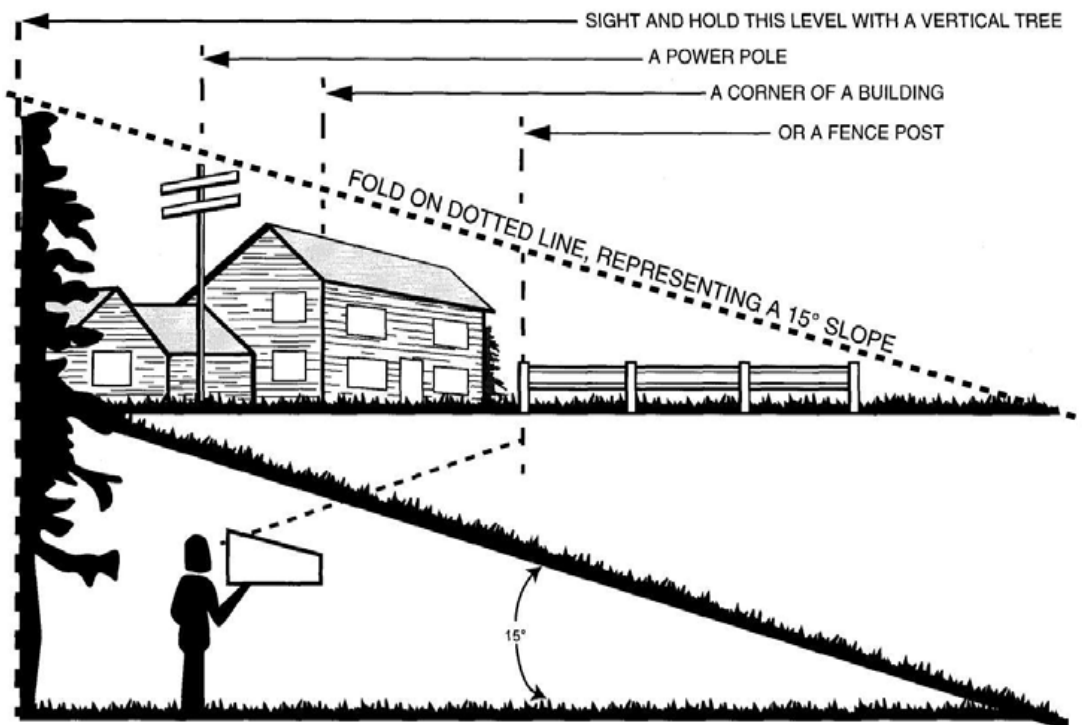
Servicing requires extreme care and knowledge and should be performed only by a qualified service technician. For service, it is suggested you return the product to your nearest AUTHORIZED SERVICE CENTER for repair. When servicing, use only identical replacement parts.

### Slope gauge

#### WARNING

Slopes are a major factor related to accidents involving slips and falls, which can result in severe injury. Operating the mower on a slope requires extra caution. If you feel uneasy on a slope, do not mow it. For your safety, use the slope gauge that is included as part of this manual to measure slopes before operating this unit on a sloped or hilly area.

- Mow across the face of a slope, and never up and down. Exercise extreme caution when changing direction on a slope.
- Watch for holes, ruts, rocks, hidden objects, or bumps that may cause a slip or a trip. Tall grass can hide obstacles.
- Always be sure of your footing. If you feel like you are losing your balance, release the blade/motor control handle immediately. The blade will stop rotating within 3 seconds.
- Do not mow near drop-offs, ditches, or embankments, because you could lose your footing or balance.
- Do not mow a slope that has an angle of greater than 15°, as determined using the slope gauge.
- Do not mow wet or damp grass. Unstable footing can cause slipping.



#### WARNING

Do not mow a slope that has an angle of greater than 15° (a rise of approximately 2-1/2 ft. every 10 ft.). Mow across the face of a slope, and never up and down.

## **PREPARATION**

---

Before beginning assembly of product, make sure all parts are present. Compare parts with package contents list and hardware contents list. If any part is missing or damaged, do not attempt to assemble the product.

### **UNPACKING**

- Carefully remove the product and any accessories from the box. Make sure that all items listed in the package contents and hardware contents lists are included.
- Inspect the product carefully to make sure no breakage or damage occurred during shipping.
- Do not discard the packing material until you have carefully inspected and operated the product.
- If any parts are damaged or missing, please call 1-888-356-2258 for assistance.

Estimated Assembly Time: 5 minutes

## **ASSEMBLY INSTRUCTIONS**

---

### **WARNING**

- If any parts are damaged or missing, do not operate this product until the parts are replaced. Using a product with damaged or missing parts could result in serious personal injury.
- Do not attempt to modify this product or create accessories not recommended for use with this product. Any such alteration or modification is misuse and could result in a hazardous condition leading to possible serious personal injury.
- Do not insert battery until assembly is complete and you are ready to mow. Failure to comply could result in accidental starting and possible serious personal injury.
- To prevent accidental starting that could cause serious personal injury, always remove the battery pack from the product when assembling parts.
- Never operate the mower without the proper safety devices in place and working. Never operate the mower with damaged safety devices. Operation of this product with damaged or missing parts could result in serious personal injury.

## ASSEMBLY INSTRUCTIONS

### WARNING

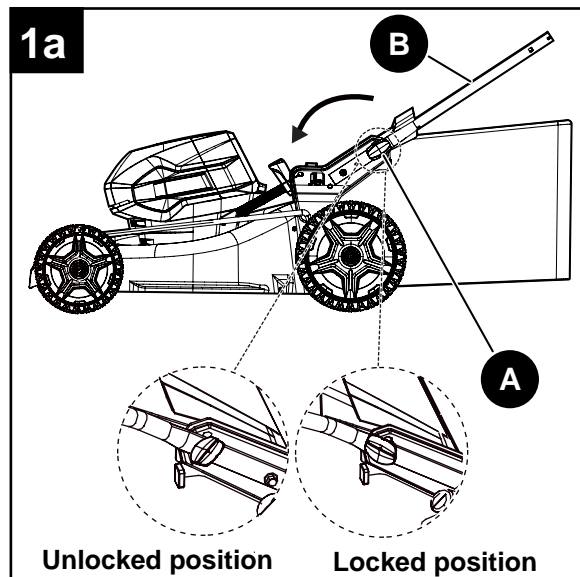
Folding or unfolding the handle improperly can damage the cables, causing an unsafe operating condition.

- Do not damage the cables when folding or unfolding the handle.
- If a cable is damaged, contact an Authorized Service Dealer.

#### 1a. Unfolding and adjusting handle

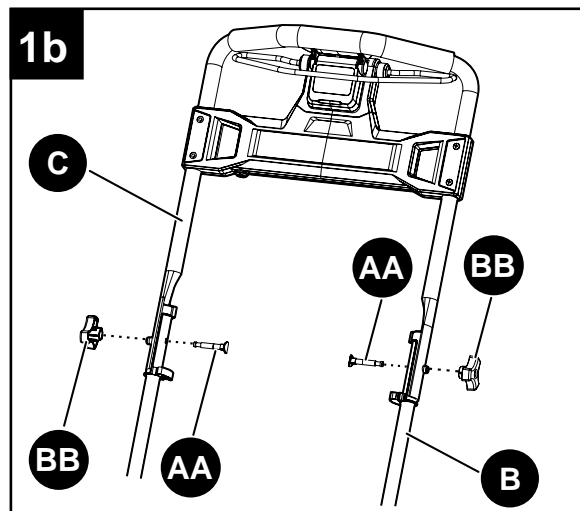
- Pull and rotate the handle lock knobs (A) 90° on both sides to loosen the lower handles (B) on both sides.
- Move the lower handles to the operating position. You may raise or lower the handles to a position comfortable for you. There are 3 positions for you to choose.
- Release the handle knobs to lock the lower handles into position.

**Note:** Ensure both sides are set at the same position for proper assembly.



#### 1b. Installing upper handle:

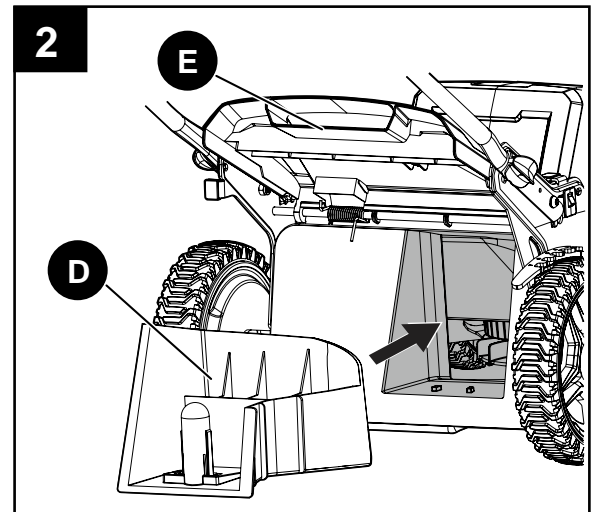
- Align the mounting holes on the upper handle (C) and the lower handle (B). Insert the handle bolts (AA) and secure using the handle knobs (BB). Repeat for both sides.



## ASSEMBLY INSTRUCTIONS

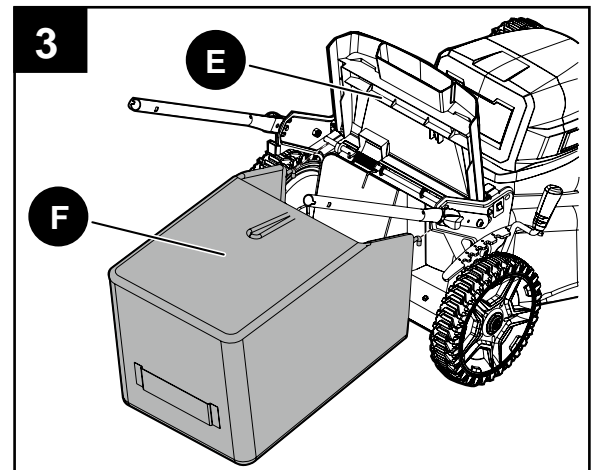
### 2. Removing the mulching plug

- To remove the mulching plug (D), lift the rear discharge door (E).
- Grasp the handle of the mulching plug (D). Using this handle, lift and pull the mulch plug out.
- The mulching plug (D) is inserted at an angle, so it requires some force to remove.
- The mulching plug (D) must be removed in order to install the grass catcher bag.
- The mulching plug (D) must be re-installed when the grass catcher bag is removed.



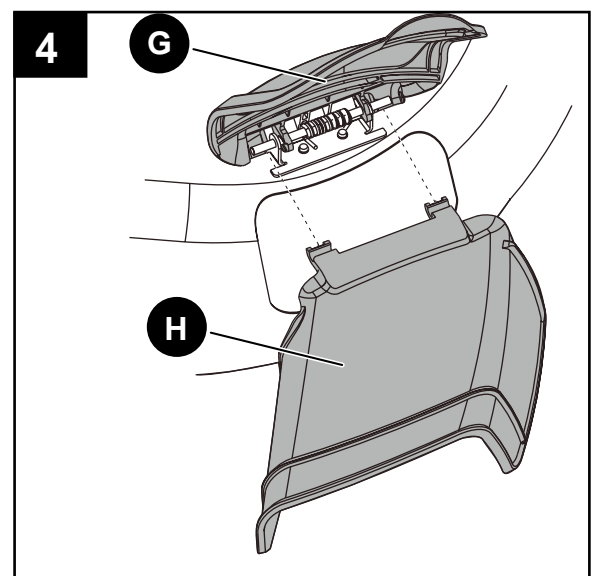
### 3. Installing the grass catcher bag

- Lift the rear discharge door (E).
- Lift the grass catcher (F) by its handle and place under the rear discharge door so that the hooks on the grass catcher are seated on the door rod.
- Release the rear discharge door (E). When installed correctly, the hooks on the grass catcher will extend through the openings on the rear discharge door.



### 4. Installing the side discharge chute

- Lift the side discharge cover (G).
- Align the grooves on the side discharge chute (H) with the pins on the underside of the side discharge cover (G).
- Lower the side discharge chute until the hooks on the mower deck are secured in the openings of the side discharge chute.
- Release the side discharge cover.
- Ensure the mulch plug is installed for side discharge to operate correctly.



## ASSEMBLY INSTRUCTIONS

### **!** WARNING

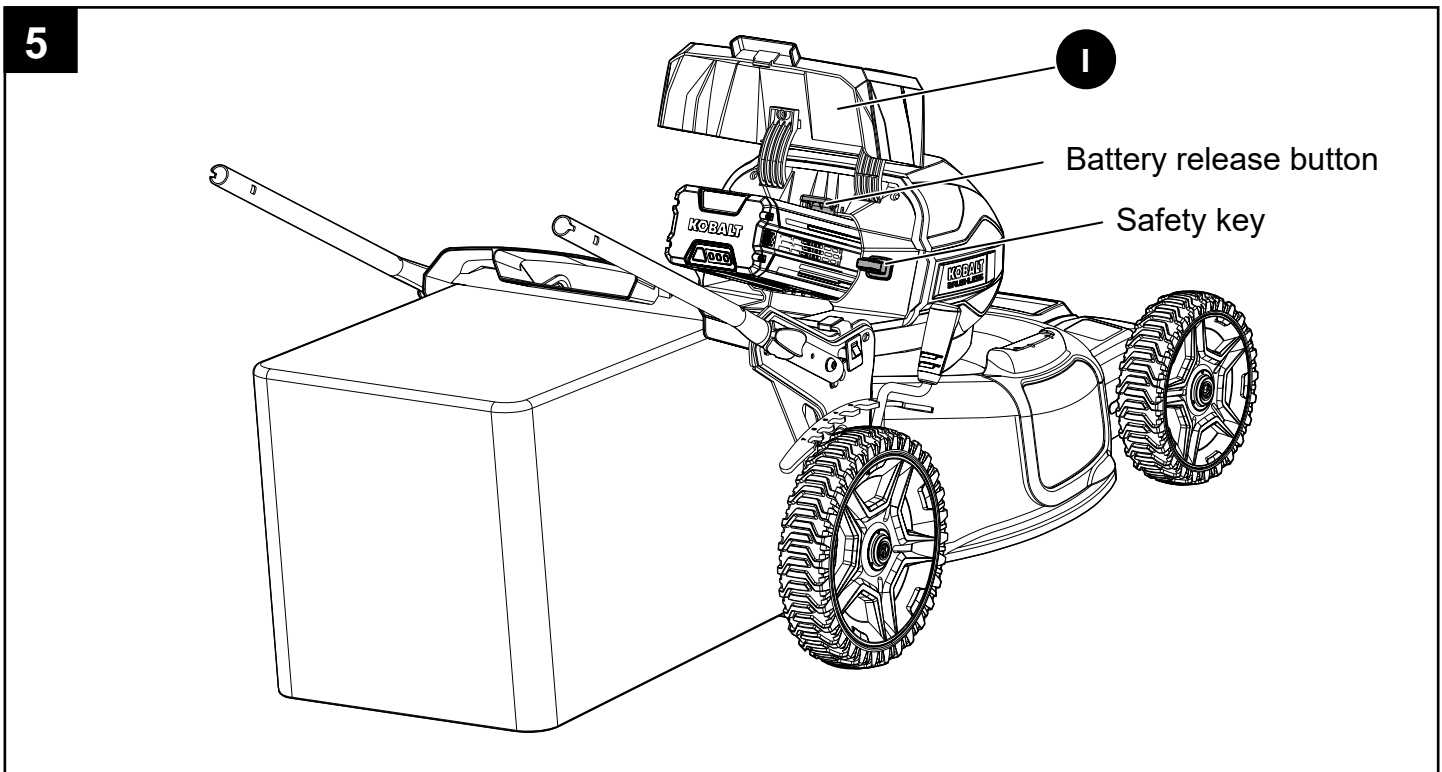
Always remove battery from your tool when you are assembling parts, making adjustments, cleaning, or when not in use. Removing battery will prevent accidental starting that could cause serious personal injury.

#### **5a. To install battery**

- Lift and hold up the battery door (I).
- Place the battery pack in the mower. Align the ribs on battery pack with grooves in the battery port.
- Make sure the battery release button snaps in place and that battery is fully seated and secure in the mower before beginning operation.
- Insert the safety key.
- If the machine is not going to be used immediately, do not insert the safety key.
- Close the battery door.

#### **5b. To remove battery**

- Release the power lever to stop the mower.
- Open the battery door (I) to access the battery compartment.
- Remove the safety key.
- Press and hold the battery release button. This will cause the battery to raise out of the tool slightly.
- Remove battery pack from the mower.





# OPERATING INSTRUCTIONS

## 1a. Powering on

### Solution 1:

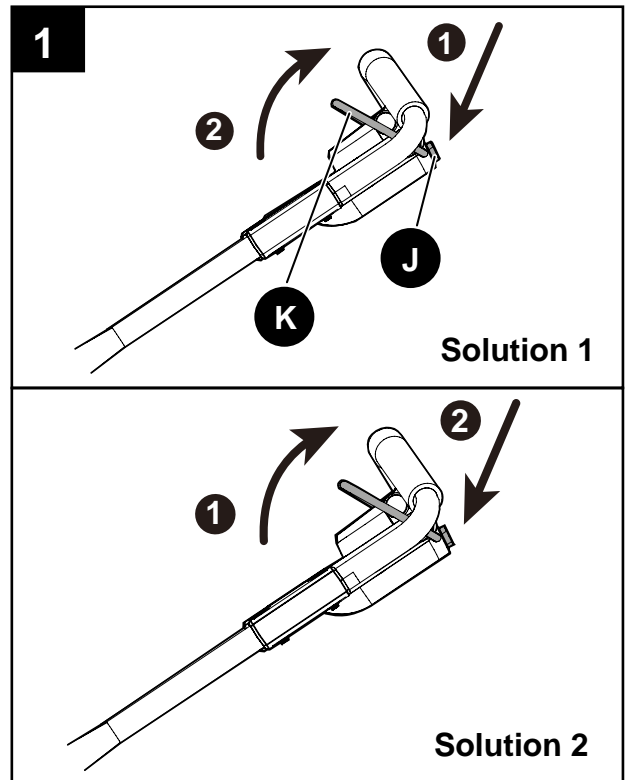
1. Press and hold the safety switch button (J).
2. Pull the bail lever (K) upward to the handle to start the mower and release the safety switch button.

### Solution 2:

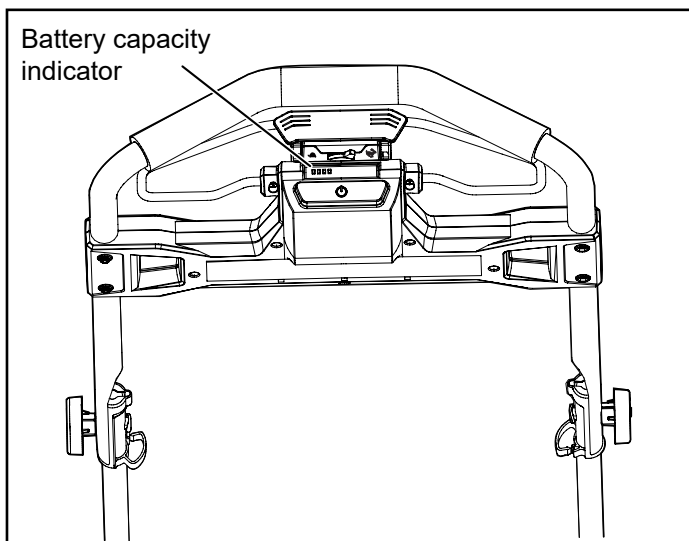
1. Pull the bail lever (K) upward to the handle and hold it.
2. Press the safety switch button (J) to start the mower and release the button.

## 1b. Powering off

- Release the bail lever.



## Battery capacity indicator



Lights	Capacity
4 Green Lights	The battery is at full capacity
3 Green Lights	The battery is at 75% capacity
2 Green Lights	The battery is at 50% capacity
1 Green Light	The battery is at 25% capacity and requires charging soon
Lights go out	The battery is under 25% capacity and requires charging immediately

## 2. Soft-Start

This mower is equipped with a “soft-start” feature. When initially starting up, the mower will take approx. 3 seconds to get up to full speed. If the mower does not initially start: Remove the battery and check under the mower deck to ensure there is nothing obstructing the blade and that the blade can spin freely by hand. Even a small amount of grass on start up will prevent the “soft start” from turning the mower on.

### **WARNING**

Do not attempt to override the operation of the safety switch button or bail lever.

## OPERATING INSTRUCTIONS

---

### 3. Self-propelled mowing

#### a. To engage the self-propelled feature:

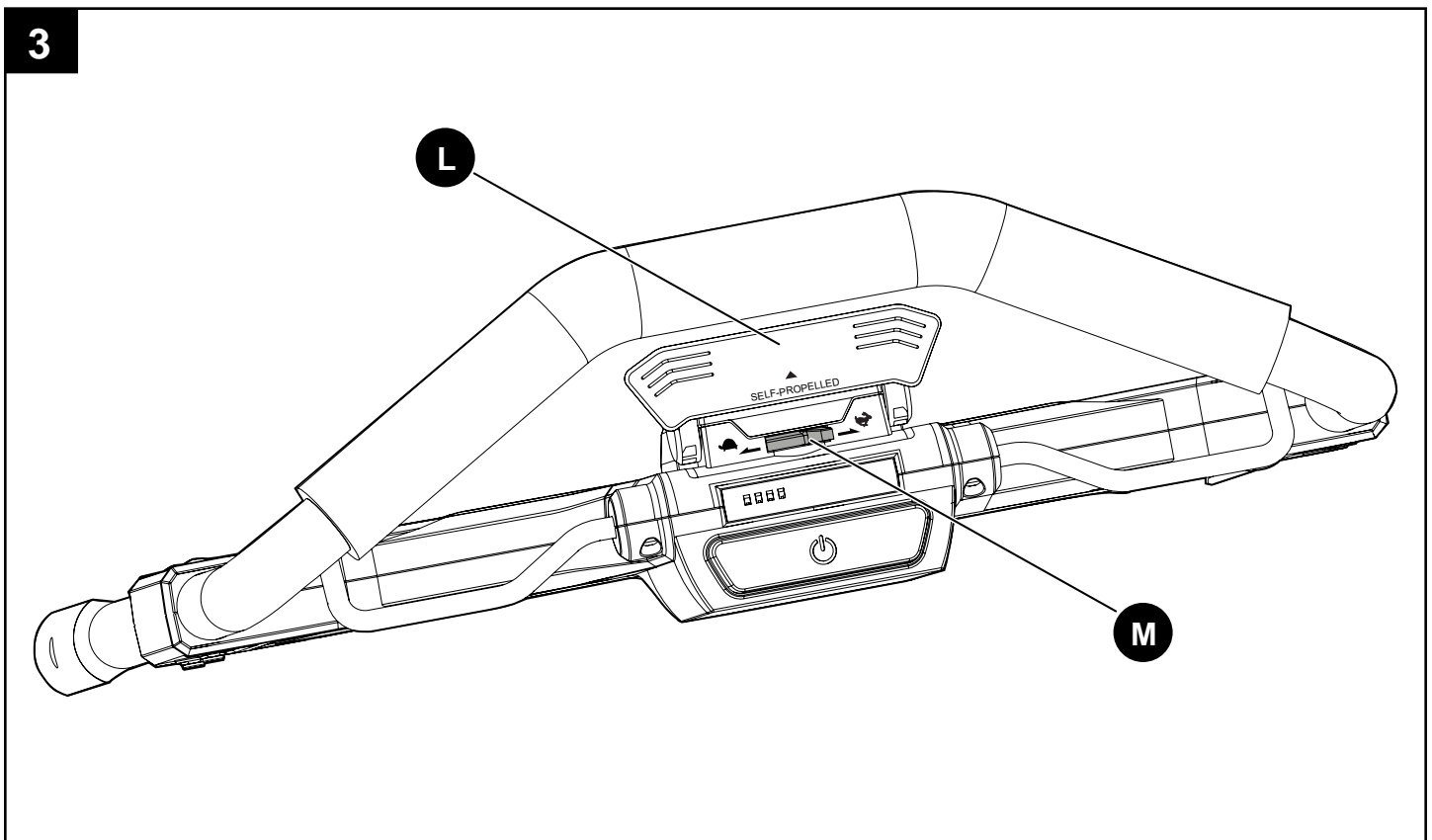
- Ensure the battery and key are installed in the mower
- Push the self-propel paddle (L) forward with your thumb

#### b. To disengage the self-propelled feature:

- Release the self-propel paddle (L).

#### c. To adjust the speed of self-propelled feature:

- Move the speed controls (M) toward the Rabbit Symbol to increase speed.
- Move the speed controls (M) toward the Turtle Symbol to decrease speed.



## OPERATING INSTRUCTIONS

### WARNING

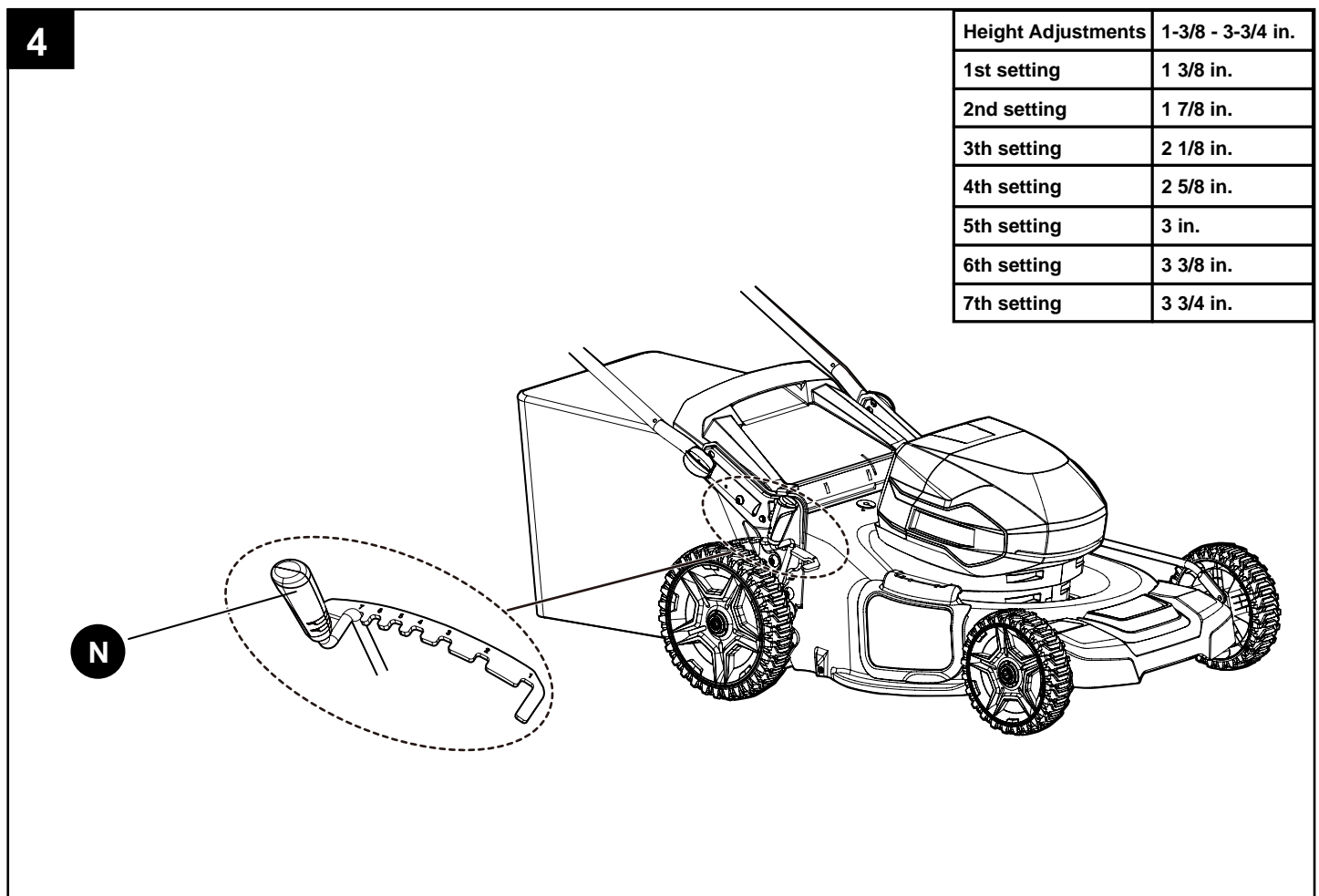
- The operation of any mower can result in foreign objects being thrown into the eyes, which can cause severe eye damage. Always wear safety glasses while operating the mower and while performing any adjustments or repairs.
- Ensure that other people and pets remain at least 100 ft. away when the mower is in use.
- Remove all stones, sticks, wires, bones, and other debris that might be thrown by the rotating blades.

### 4. Cutting height adjustment

When shipped, the wheels on the mower are set to a low-cutting position. Before using the mower for the first time, raise the cutting position to the height best suited for your lawn. The average lawn should be between 1-1/2 in. and 2 in. during cool months and between 2 in. and 3-1/2 in. during hot months.

To adjust the blade height:

- To raise the blade height, grasp the height adjustment lever (N) and move it toward the back of the mower.
- To lower the blade height, grasp the height adjustment lever (N) and move it toward the front of the mower.



## OPERATING INSTRUCTIONS

---

### Mowing tips

**Note:** A sharp blade will greatly enhance the performance of the mower, especially when cutting high grass. Be sure to check the blade and to sharpen it at least once per year, as described in the Care and Maintenance section.

- Verify that the lawn is free of stones, sticks, wires, and other objects that could damage the blades or the motor. These objects could be accidentally thrown by the mower in any direction, and could cause serious personal injury to the operator and to others. In order to prevent electric shock, do not operate the mower in damp or wet conditions.
- Do not mow in circles. Travel back and forth across the lawn.
- When cutting thick grass, reduce walking speed in order to allow for a more effective cut and a proper discharge of the clippings.
- For a healthy lawn, always cut off one-third or less of the total length of the grass. The average lawn should be approximately 1-1/2 to 2 inches long during cool months, and between 2 to 3-1/4 in. long during hot months. If there is growth, the lawn should be cut in the fall.

### Mulching tips

**Note:** Inspect the area where the mower is to be used and remove all stones, sticks, wires, bones, and other debris that might be thrown by the rotating blade.

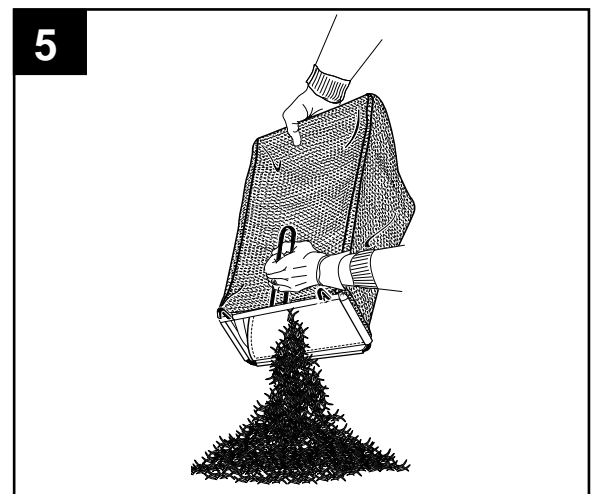
- Release the bail lever to turn the mower OFF when crossing any graveled area (stones can be thrown by the blade).
- Set mower to the highest cutting height when mowing on uneven ground or in tall weeds.
- For effective mulching, do not cut wet grass, because it tends to stick to the underside of the deck, preventing proper mulching of grass clippings. New or thick grass may require a narrower cut. The ground speed should be adjusted to the condition of the lawn. If mowing has been delayed and the grass has been allowed to grow longer than 4 in. (10 cm), mow the lawn twice in order to reduce the grass height to a maximum of 3-1/4 in. (8.3 cm).
- Walk at a steady pace. Overlap the cutting rows. Do not let the grass get too tall. If the grass gets too long, start at the highest cutting position and work down to the desired cutting height.

### WARNING

If you strike a foreign object, stop the motor and remove the battery. Thoroughly inspect the mower for any damage. Repair any damage before operating the mower. Excessive vibration of the mower during operation is an indication of damage. Thoroughly inspect the mower and repair any damage before operating the mower.

### 5. Emptying the grass catcher bag

- Stop mower, allow blades to completely stop, and remove the battery.
- Lift the rear discharge cover.
- Lift the grass catcher bag by its handle to remove from mower.
- Empty grass clippings.
- Lift the rear discharge cover and reinstall the grass catcher bag as described earlier in this manual.



## CARE AND MAINTENANCE

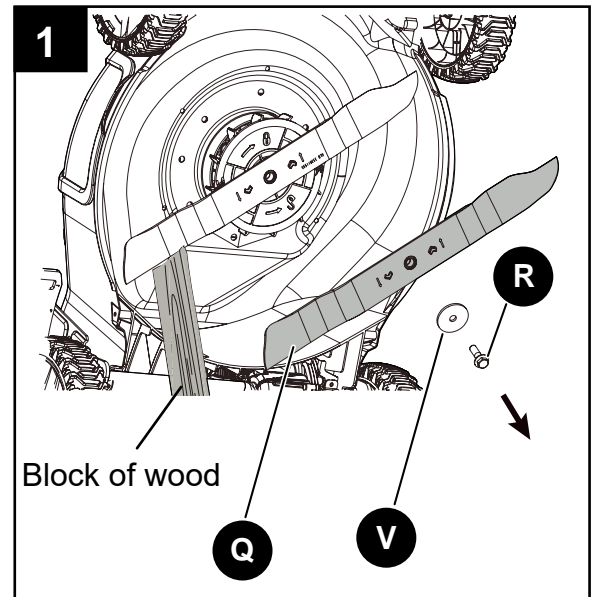
### Replacing the cutting blade

#### WARNING

Always protect your hands by wearing heavy gloves and/or wrapping the cutting edges with rags or other materials when performing any maintenance on the blades. Always remove the battery when servicing or transporting the mower.

Use only a Kobalt replacement blade (Item #0648547, sold separately).

- Remove battery.
- While wearing leather padded gloves, wedge a block of wood between the blade and the mower deck in order to prevent the blade from turning when the nut is being removed.
- Using an adjustable wrench or 27mm socket (not included), loosen the blade bolt (R), spacer (V) and remove the blade (Q). Turn the bolt counterclockwise to loosen it and clockwise to tighten it.
- Remove the bolt and the blade.
- To re-install the blade, position the blade with the cutting edges toward the ground. Assemble the bolt as shown. Using a socket or wrench, turn the blade bolt "CLOCKWISE" in order to secure the blade.



### Cleaning the mower

#### WARNING

- In order to reduce the risk of electric shock, do not expose the mower to water. The underside of the mower deck should be cleaned after each use, because grass clippings, leaves, dirt, and other debris will accumulate, which will cause rust and corrosion.
- Remove any build-up of grass and leaves on or around the motor cover (do not use water). Occasionally wipe the mower clean with a dry cloth. If debris builds up on the underside of the mower during use, stop the motor, remove the battery, and then tilt the mower on its side, and scrape it clean using an appropriate tool.

## CARE AND MAINTENANCE

---

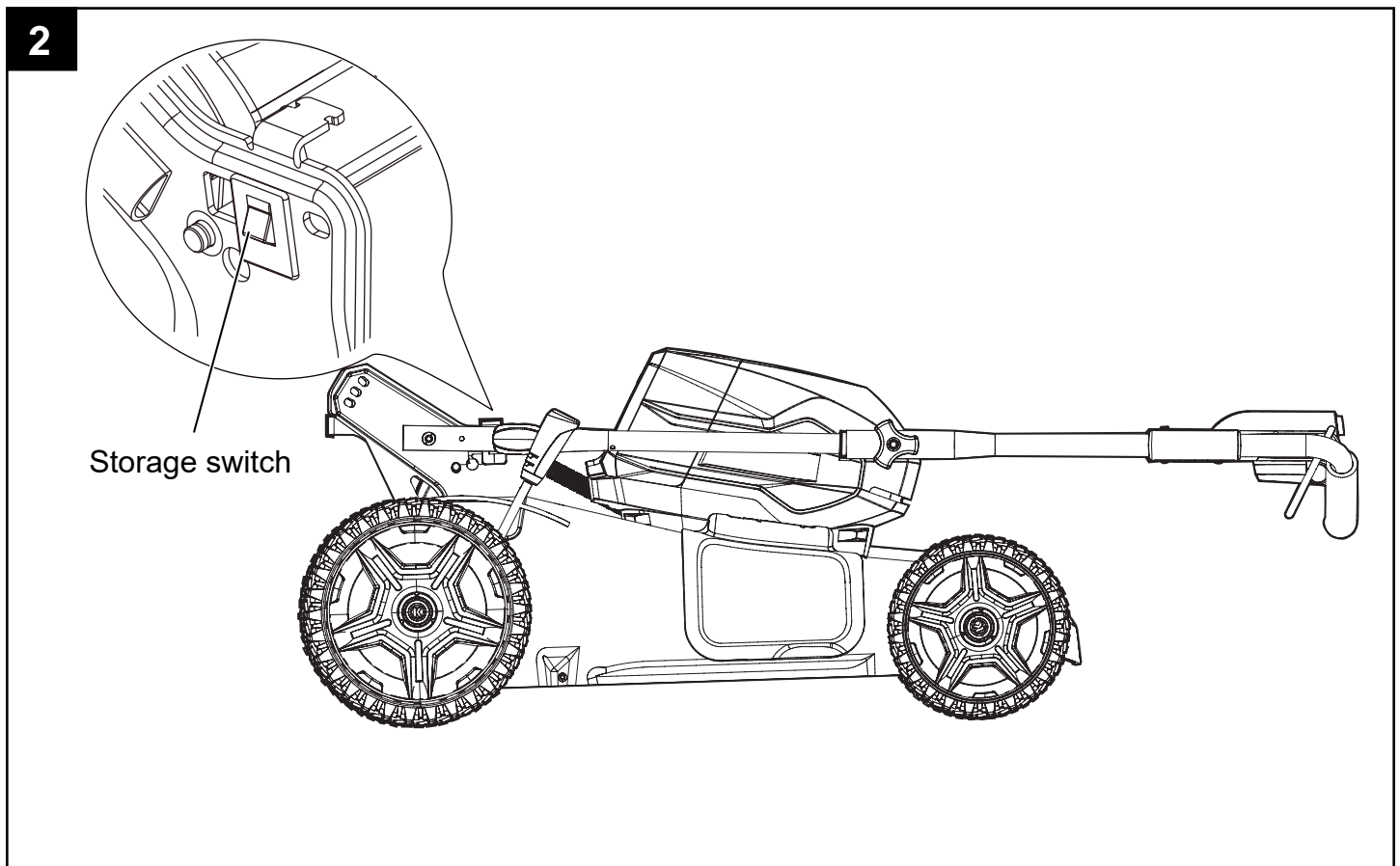
### Storing The Mower

The following steps should be taken in order to prepare the lawn mower for storage.

- Clean the mower as described in the previous section.
- Inspect the blade and replace it or sharpen it, if required (refer to the Replacing the cutting blade section).
- Store the mower in a dry, clean location. Do not store it next to corrosive materials, such as fertilizer or rock salt.
- Store the mower indoors, in a cool, dry place, out of the reach of children. Do not cover the lawn mower with a solid plastic sheet. Plastic coverings trap moisture around the mower, which causes rust and corrosion.
- The handle may be folded away completely for storage. Ensure that the handles “click” or lock into place in the storage position.
- Remove the battery and store it in a cool dry location.

### Storage Switch

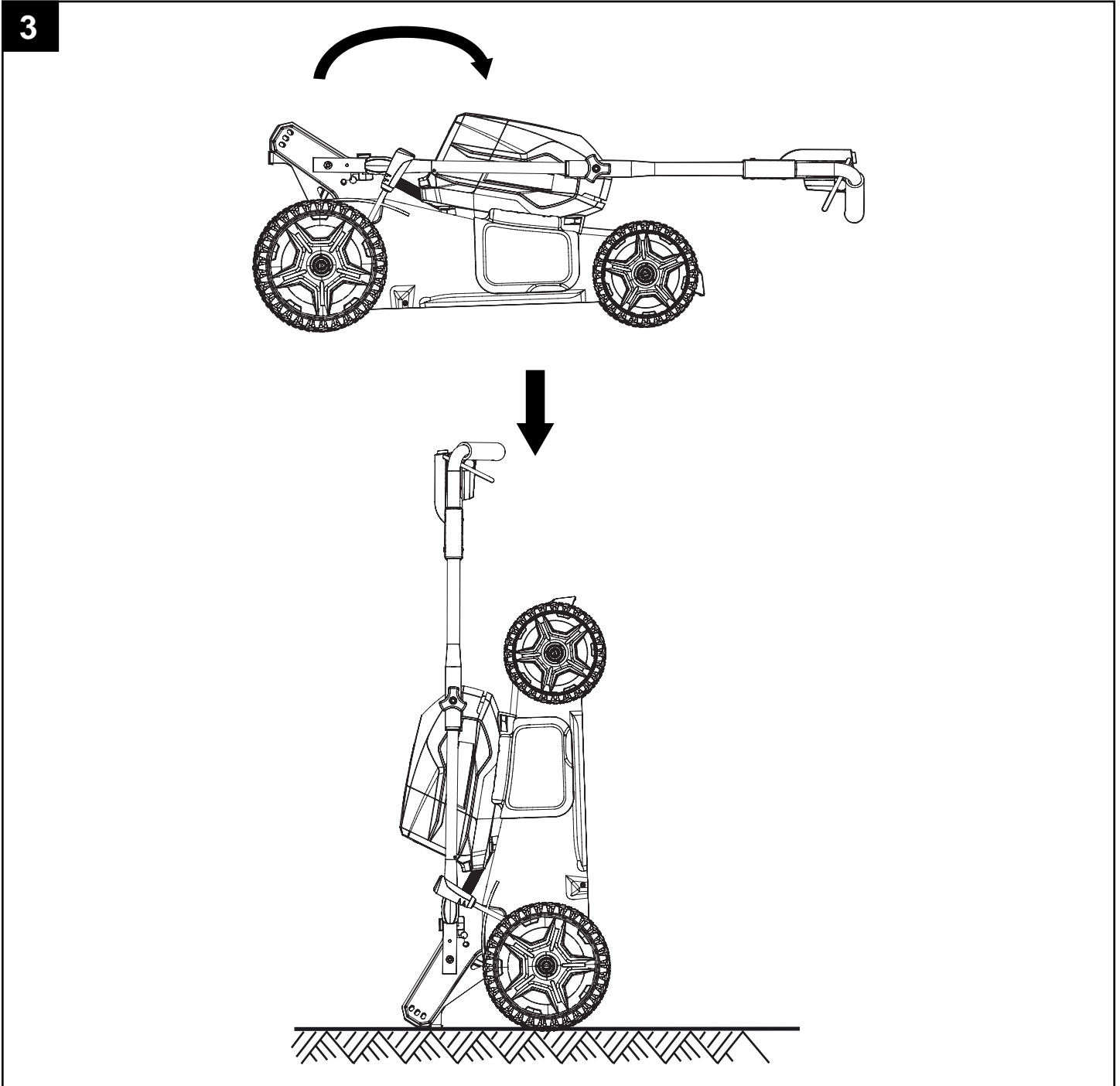
When the handle is rotated into the fully locked storage position, the mower is equipped with a storage switch that will disable the mower from running in the storage position. The storage switch does not replace the need to remove the battery to prevent accidental start-up or unauthorized use.



## CARE AND MAINTENANCE

### Storing the mower vertically

- Remove the battery and the key from the mower. Store in a cool and dry location.
- Remove the grass catcher bag if it is installed on the mower.
- Rotate the handle knobs to the unlocked position.
- Lower the handle assembly and rotated the handle knobs to the locked position.
- Lift the mower by the front end to the vertical position.



## CARE AND MAINTENANCE

---

### Service

Servicing requires extreme care and knowledge and should be performed only by a qualified service technician. For service, it is suggested you return the product to your nearest AUTHORIZED SERVICE CENTER for repair. When servicing, use only identical replacement parts.

#### WARNING

- When servicing the mower, use only identical replacement parts that are available from the manufacturer. In order to obtain replacement parts, call the toll-free helpline, at 1-888-356-2258. The use of parts that do not meet the original equipment specifications may lead to improper performance, and may compromise safety.
- Before cleaning, repairing, or inspecting; verify that the blade and all moving parts have come to a complete stop. Remove the battery when making any adjustments or when any of the four wheels must be lifted off the ground.
- Keep the handles dry, clean, and free of oil and grease.
- In order to reduce the risk of fire, keep the motor free of grass, leaves, and debris build-up.
- Check the blade and motor mounting bolts for proper tightness frequently. Visually inspect blade for damage (e.g., bent, cracked, or worn).
- For best and safest performance, maintain the mower with care. Keep the mower blade sharp and clean. Mower blades are sharp and can cut. Wrap the blades or wear gloves, and use extra caution when servicing.
- Keep all nuts, bolts, and screws tight in order to be sure that the equipment is in safe working condition.
- Never tamper with safety devices. Check them regularly for proper operation.
- After striking a foreign object, stop the motor. Thoroughly inspect the mower for any damage. Repair any damage before operating the mower.
- The grass catcher components, discharge cover, and trail shield are subject to wear and damage, which could expose moving parts or allow objects to be thrown. As a safety precaution, check these components frequently, and immediately replace any parts that show signs of wear, or that are cracked or broken. Use original equipment manufacturer's (OEM) parts only, as listed in this manual.
- When it is not in use, store the mower indoors in a dry area, and out of the reach of children.

#### WARNING

Always remove battery when servicing or transporting the mower.



## TROUBLESHOOTING

If you still have questions or an unresolved issue after going through this troubleshooting guide, or just want to speak to a Kobalt product expert, please call our Kobalt customer service department at 1-888-356-2258.

PROBLEM	POSSIBLE CAUSE	CORRECTIVE ACTION
The mower does not start.	<ol style="list-style-type: none"> <li>1. The battery is not charged.</li> <li>2. The switch is defective.</li> <li>3. Grass jammed at blade.</li> <li>4. The battery is not inserted all the way in the mower.</li> <li>4a. Battery may need replacement.</li> </ol>	<ol style="list-style-type: none"> <li>1. Charge the battery.</li> <li>2. Replace the switch.</li> <li>3. Remove battery; check under deck for jams or built up grass.</li> <li>4. Insert the battery until it clicks.</li> <li>4a. Call 1-888-356-2258.</li> </ol>
The mower cuts the grass unevenly.	<ol style="list-style-type: none"> <li>1. The lawn is rough or uneven.</li> <li>2. The cutting height is not set properly.</li> </ol>	<ol style="list-style-type: none"> <li>1. Check the mowing area.</li> <li>2. Move the wheels to a higher setting.</li> </ol>
The mower does not mulch properly.	<ol style="list-style-type: none"> <li>1. Wet grass clippings are sticking to the underside of the deck.</li> <li>2. The mulching plug is missing.</li> </ol>	<ol style="list-style-type: none"> <li>1. Wait until the grass dries before mowing.</li> <li>2. Install the mulching plug.</li> </ol>
The mower is hard to push.	<ol style="list-style-type: none"> <li>1. The grass is too tall, or the cutting height is too low.</li> <li>2. The rear of the mower housing and the blade are dragging in thick grass.</li> </ol>	<ol style="list-style-type: none"> <li>1. Raise the cutting height.</li> <li>2. Empty the grass clippings from the grass catcher bag.</li> </ol>
The mower vibrates at higher speed.	<ol style="list-style-type: none"> <li>1. The motor shaft is bent.</li> <li>2. The blade is unbalanced.</li> </ol>	<ol style="list-style-type: none"> <li>1. Stop the motor, disconnect the mower from the power source, and inspect it for damage. Repair the mower before restarting. If the vibration persists, call 1-888-356-2258.</li> <li>2. Call 1-888-356-2258.</li> </ol>
Mower turns off during mowing.	<ol style="list-style-type: none"> <li>1. The battery is not charged.</li> <li>2. Grass or debris is jammed between the blade and deck.</li> <li>3. Cutting height is set too low.</li> <li>4. Operating temperature of the mower is too high.</li> </ol>	<ol style="list-style-type: none"> <li>1. Charge the battery.</li> <li>2. Remove battery; check under deck for jams.</li> <li>3. Increase the cutting height.</li> <li>4. Move the mower to a cool, dry location. Let rest for 30 minutes.</li> </ol>

## **WARRANTY**

---

### **5-YEAR LIMITED WARRANTY**

This Kobalt 80 V 21 in. cordless self-propelled lawn mower is warranted to the original purchaser from the original purchase date for five (5) years subject to the warranty coverage described herein.

This Kobalt 80 V 21 in. cordless self-propelled lawn mower is warranted for the original user to be free from defects in material and workmanship.

If you believe that the Kobalt 80 V 21 in. cordless self-propelled lawn mower is defective at any time during the specified warranty period, simply call our Warranty service (1-888-356-2258) along with proof of purchase.

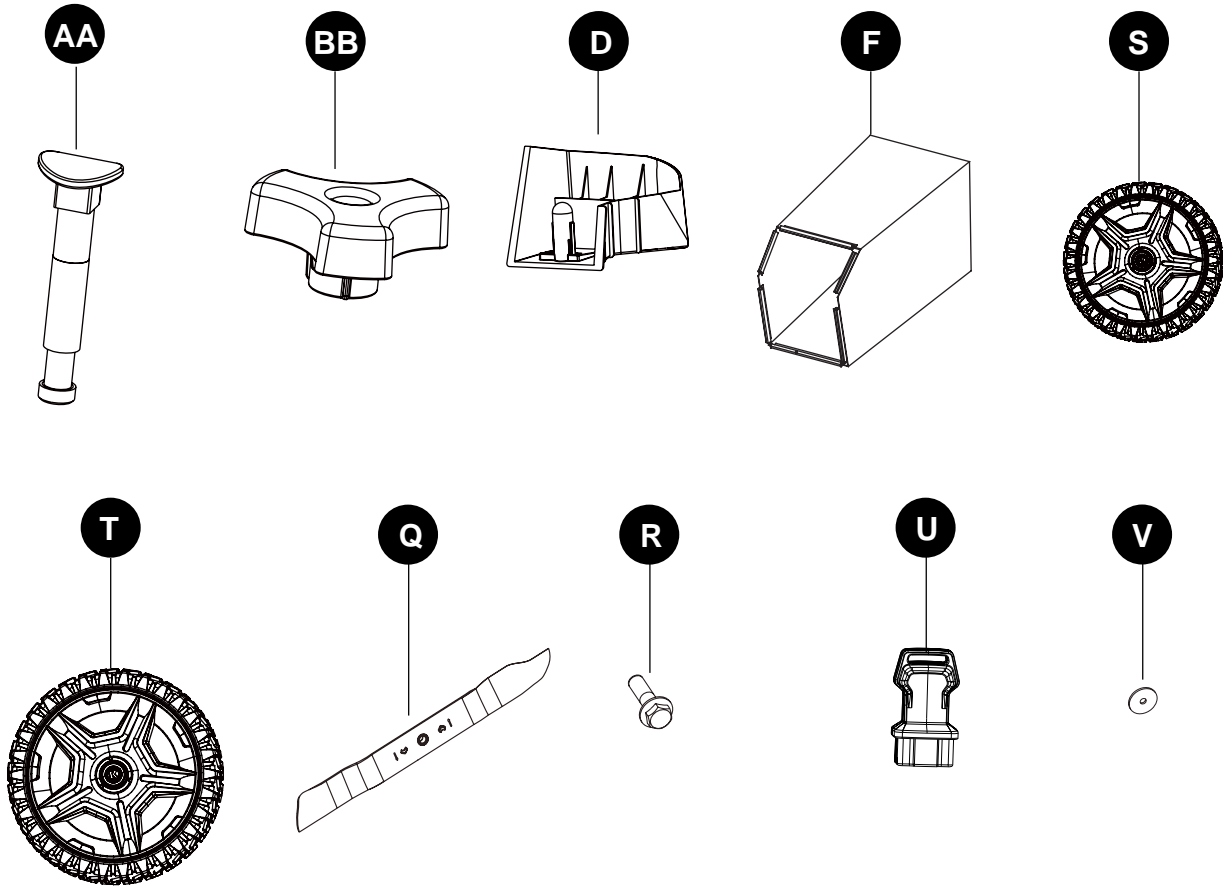
This warranty is void if: defects in materials or workmanship or damages result from repairs or alterations which have been made or attempted by others or the unauthorized use of nonconforming parts; the damage is due to normal wear, damage is due to abuse (including overloading of the tool beyond capacity), improper maintenance, neglect or accident; or the damage is due to the use of the tool after partial failure or use with improper accessories or unauthorized repair or alteration.

This warranty excludes replacement blades and grass bag.

This warranty gives you specific legal rights, and you may also have other rights that vary from state to state.

## REPLACEMENT PARTS LIST

For replacement parts, call our customer service department at 1-888-356-2258.



PART	DESCRIPTION	PART #
AA	Handle bolt	322011043A
BB	Handle knob	341291179
D	Mulching plug	341043431
F	Grass catcher	349011179KC
S	Front wheel	341981555A
T	Rear wheel	341971555A
Q	Blade	333041179
R	Blade bolt	322041555
U	Safety key	311082374
V	Spacer	333021527

Printed in China